
Comfort-Aire®

 **Century**®

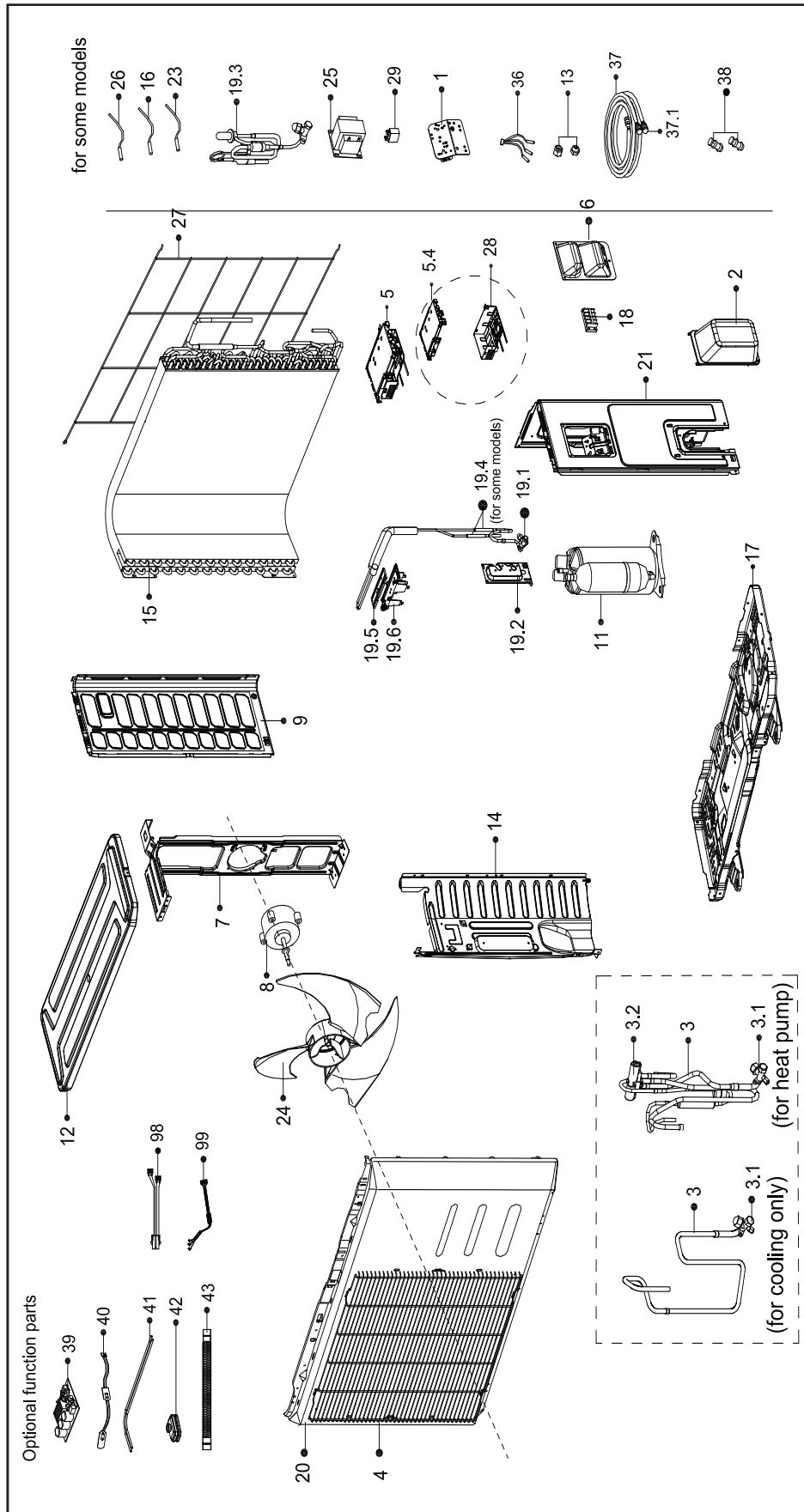
MARS®
Delivering Confidence

REPLACEMENT PARTS LIST

**Single Zone Ductless Mini-Split
with Inverter Technology**

A-DVH24SG-1

EXPLODED VIEW



REPLACEMENT PARTS

Location	Part Name	Quantity	Part No.
1	Support of electronic control box	1	12222000005424
2	Water collector	1	12122000007150
3	4-way valve assembly	1	15422000016192
3.1	Gas valve	1.0	15500204000025
3.2	4-way Valve	1.0	15500216000026
4	Air outlet grille	1	12222000011145
5	Electronic control box subassembly	1	17222000029829
5.4	Electronic installing box	1.0	12122000008999
6	Big handle assembly	1	12222000010966
7	Supporter subassembly of fan motor	1	12222000004884
8	Brushless DC Motor	1	11002015008365
9	Left side plate assembly of cabinet	1	12222000004831
11	DC Inverter Rotary Compressor	1	11103020004360
12	Top cover assembly	1	12222000004835
13	Copper nut	1	15500406000010
13	Copper nut	1	15500406000003
14	Partition board assembly	1	12222000005423
15	Condenser assembly	1	15822000008325
17	Chassis assembly	1	12222000012165
18	Terminal	1	17400401000075
19	Liquid valve assembly	1	15422000015832
19.1	Liquid valve	1.0	155002080000286
19.2	Valve plate	1.0	12222000002571
19.4	Throttle valve	1.0	15500210001209
19.4	Throttle valve	1.0	15500210001228
19.5	Radiator	1.0	11203803001176
19.6	U-Typed Support with Copper Pipe	1.0	12122000011478
20	Front panel assembly	1	12222000006304
21	Right side plate	1	12222000004830
24	Axial flow fan	1	12100105000181
27	Rear net	1	12222000004833
28	Electronic installing box subassembly	1	12222200002695
36	Combination Sensor	1	11201011000168
40	Crankcase electric heating strip	1	17402001000603
41	Electric heating tube	1	17402002000466
43	Drain pipe	1	12100509000059
99	Compressor wire subassembly	1	17401203000939
36	Combination Sensor	1	11201011000067
41	Drain pipe	1	12100509000059
99	Compressor wire subassembly	1	17401203000802

Due to ongoing product improvements, specifications and dimensions are subject to change and correction without notice or incurring obligations. Determining the application and suitability for use of any product is the responsibility of the installer. Additionally, the installer is responsible for verifying dimensional data on the actual product prior to beginning any installation preparations.

Incentive and rebate programs have precise requirements as to product performance and certification. All products meet applicable regulations in effect on date of manufacture; however, certifications are not necessarily granted for the life of a product. Therefore, it is the responsibility of the applicant to determine whether a specific model qualifies for these incentive/rebate programs.

Comfort-Cire®  **Century**®

1900 Wellworth Ave., Jackson, MI 49203 • Ph. 517-787-2100 • www.marsdelivers.com



Comfort-Aire®

 **Century**®

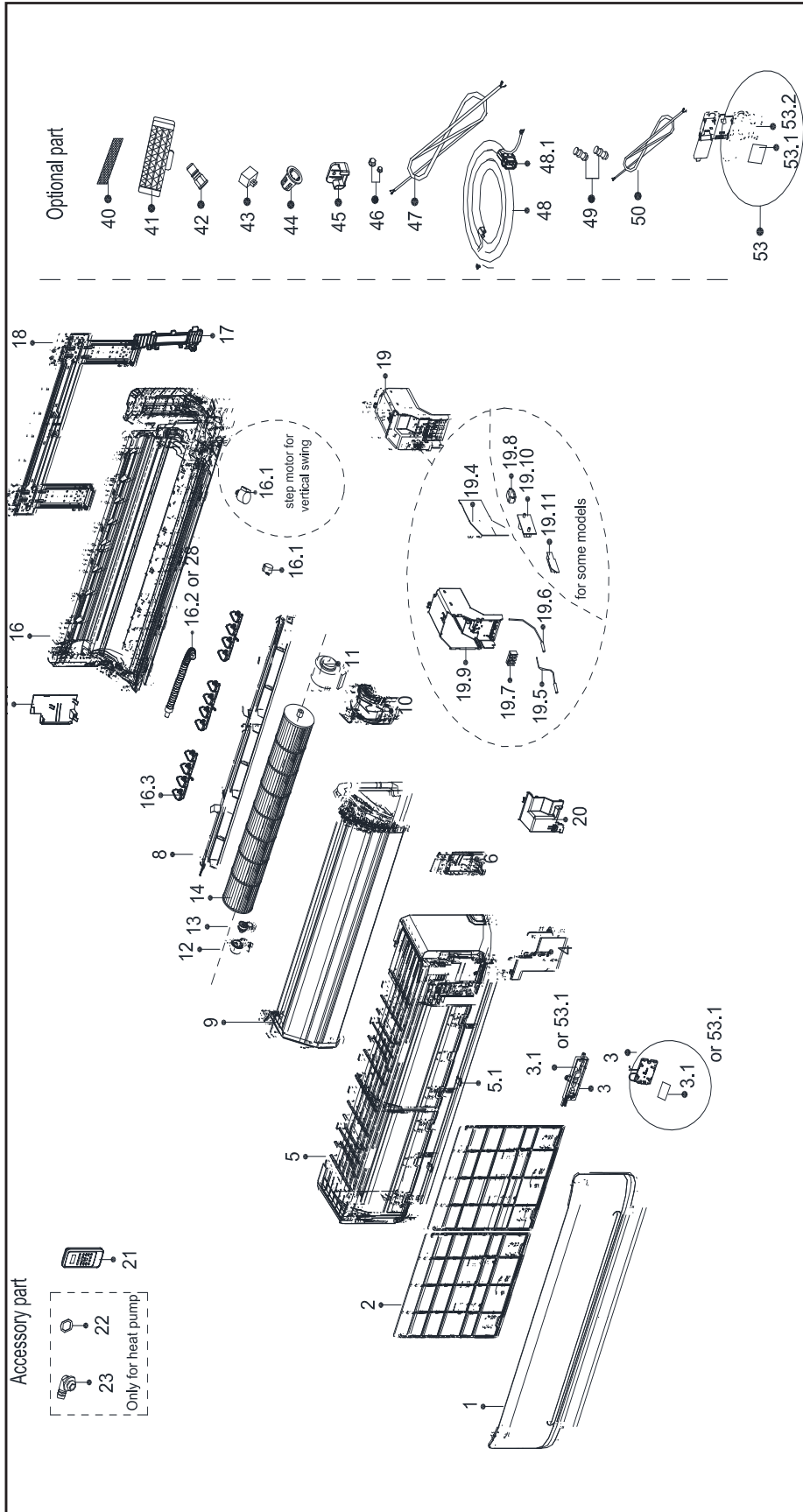
MARS®
Delivering Confidence

REPLACEMENT PARTS LIST

Single Zone Ductless Mini-Split with Inverter Technology

B-DVH24SG-1

EXPLODED VIEW



REPLACEMENT PARTS

Location	Part Name	Quantity	Part No.
1	Panel assembly	1	12122000A78231
2	Air filter	2	12100204000461
4	Cover of electrical equipment	1	12122000006733
5	Panel frame assembly	1	12122000001956
5.1	Screw Cap	2.0	12122000008242
6	Front cover of chassis(right)	1	12122000004608
8	Horizontal louver	1	12122000006335
9	Evaporator assembly	1	15822000008721
10	Fan motor cover	1	12122000005512
11	Brushless DC Motor	1	11002015008646
12	Bearing holder	1	12122000000350
13	Bearing base	1	12622000000006
14	Cross flow fan	1	12100102000018
16	Chassis assembly	1	12122000011879
16.1	Stepper motor	1.0	11002010000049
16.3	Horizontal louver	3.0	12122000000135
16.4	Front cover of chassis	1.0	12122000004614
17	pipe clamp board	1	12122000012942
18	Installation Plate	1	12222000003595
19	Electronic control box subassembly (Mid-and low-end)	1	17222000028514
19.4	Main control board subassembly	1.0	17122000045121
19.5	Room temperature sensor	1.0	11201007003425
19.6	Pipe Temperature Sensor	1.0	11201007003445
19.7	Terminal	1.0	17400401000006
19.9	Electronic control box	1.0	12122000020327
20	Cover of electronic control box	1	12122000005024
21	Remote controller	1	17317000A51872
22	seal ring	1	12600701000039
23	Drain hose	1	12100509000061
28	Drain hose	1	12100501000032
40	Filter	2	12100207000131
42	Detection valve	1	15500209000002
45	Bracket of remote Controller	1	12117000002114
46	Copper nut	1	15500406000010
46	Copper nut	1	15500406000003
53	Display box subassembly	1	17222000A07066
53.1	Display board subassembly	1.0	17122000A07845
53.2	Display box	1.0	12122000A03192
53.1	Display board subassembly	1.0	17122000A07845
53.2	Display box	1.0	12122000A03192

Due to ongoing product improvements, specifications and dimensions are subject to change and correction without notice or incurring obligations. Determining the application and suitability for use of any product is the responsibility of the installer. Additionally, the installer is responsible for verifying dimensional data on the actual product prior to beginning any installation preparations.

Incentive and rebate programs have precise requirements as to product performance and certification. All products meet applicable regulations in effect on date of manufacture; however, certifications are not necessarily granted for the life of a product. Therefore, it is the responsibility of the applicant to determine whether a specific model qualifies for these incentive/rebate programs.

Comfort-Cire®  **Century**®

1900 Wellworth Ave., Jackson, MI 49203 • Ph. 517-787-2100 • www.marsdelivers.com

